



TechnoVibe S-Series Bowl Vibrators



Description:

TechnoVibe S-Series bowl vibrators are powerful, deep, spiral ramp bottom bowl units with an internal media/parts separation screen. Processing of parts occurs in a clockwise, upwards spiralling direction with automatic unloading and separation achieved by diverting the parts and media over the internal separation screen using an unload flap. Media is sieved back into the work chamber while the parts discharge to a collection bin or secondary operation. The spiral ramp design enables very rapid, complete unloading of parts. The purchase of an optional speed controller will greatly enhance this.

TechnoVibe S-Series bowl vibrators are ideally suited for the processing of high production, small components, or flat, lightweight parts which tend to stick together. They are also perfect for steel ball burnishing processes.

Options include:

- variable speed process controllers
- sound/splash lids
- compound dosing systems
- pneumatically operated unload flaps

B.V. PRODUCTS

Mass Finishing Technology



Work Chamber:

The precision engineered, steel fabricated chassis which carries a powerful, purpose designed, vibratory motor, is stress relieved after machining and encased in a revolutionary, carbon fibre, hot cured polyurethane shell. Huge wall thicknesses on high wear areas ensures long bowl life. Shore hardness is 65D with a UTS of 30MPA and UE of 450%. This results in an ultra durable, highly abrasion resistant work chamber that resists all common acids.

Screens:

Supplied in a variety of aperture sizes and materials, screen inserts are easily removed to enable quick changes of applications. Special screens can be made if required.

Motor:

Powerful, direct, flange-mounted vibratory motor. Housed as an integral part of the machine, this specially constructed unit is designed for use on either 220/240V or 385/440V 3Ø 50-60Hz supply.

Base:

Cast in one piece from a specially formulated polyurethane and strengthened with carbon fibre reinforcing, the base is non-corrosive and virtually indestructible.

Springs:

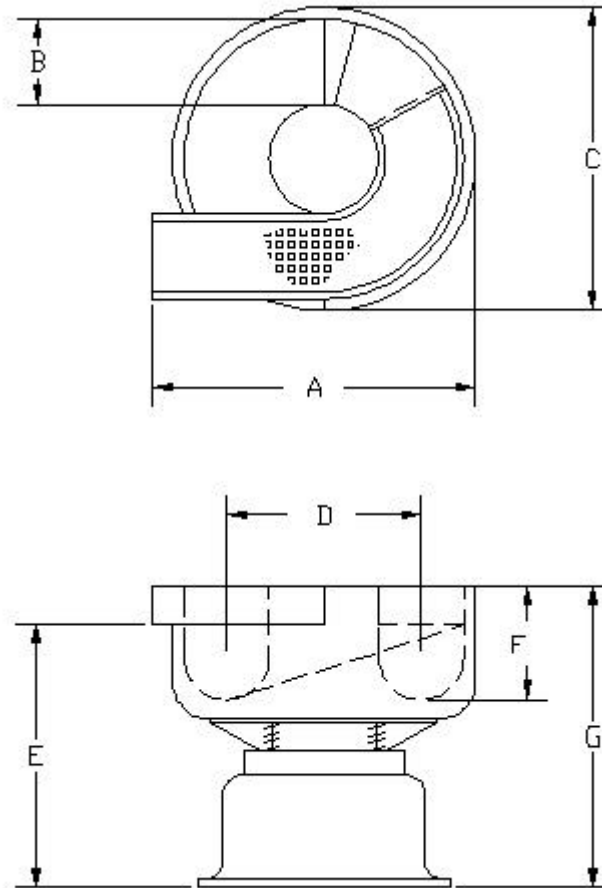
High column strength coil compression type, designed to prevent vibration transfer to the floor.

Fastenings:

All major component fastenings are high tensile, grade 8.8. All nuts are fitted with plastic anti-vibration inserts.



Dimensions:



Model	BV2S	BV4S	BV8S	BV15S
A	810	1045	1475	1735
B	250	325	380	510
C	760	995	1400	1660
D	500	610	900	1220
E	750	815	910	1090
F	270	400	450	620
G	840	945	1050	1260

B.V. PRODUCTS

Mass Finishing Technology



Technical Data:

Model	BV2S	BV4S	BV8S	BV15S
Capacity (L)	35	112	225	420
Bowl Volume (L)	40	165	356	700
Weight (kg)	60	275	800	975
Motor Type	Invicta SFL20-5/4	Invicta SFL25-14/4	Invicta SFL30-25/4	Invicta SFL50-45/4
Motor Input Power (W)	450	675	1135	3740
Motor Output Power (W)	250	500	1150	3350

Website: www.bvproducts.com.au

Email: mail@bvproducts.com.au